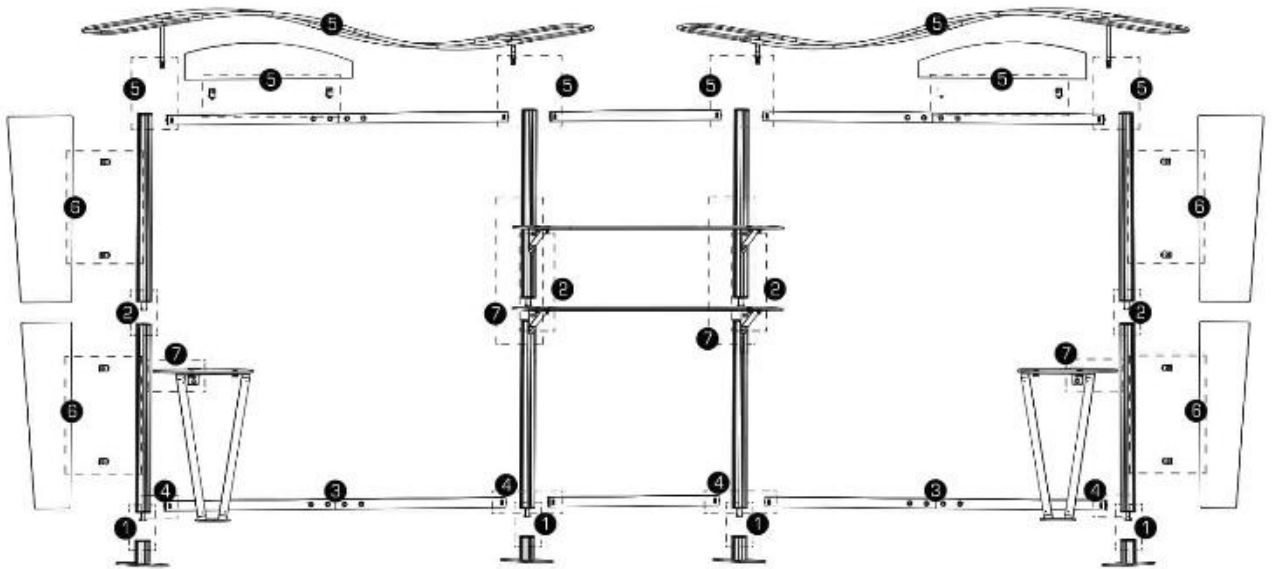


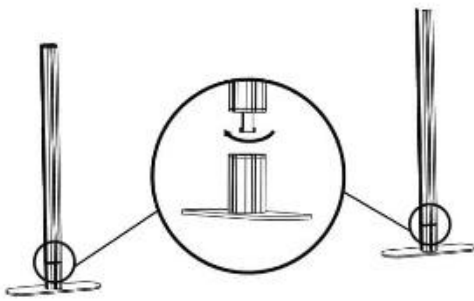
Twistlock NEW 20ft

Setup instructions

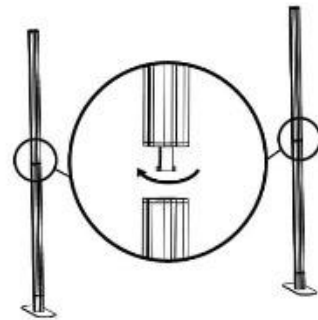
Frame Assembly



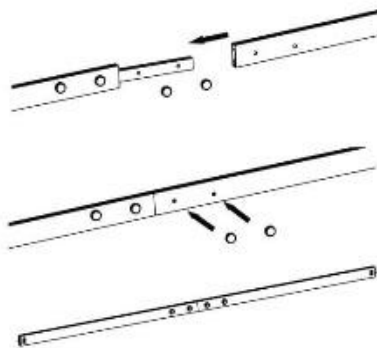
Key: Numbers[**#**]represents steps



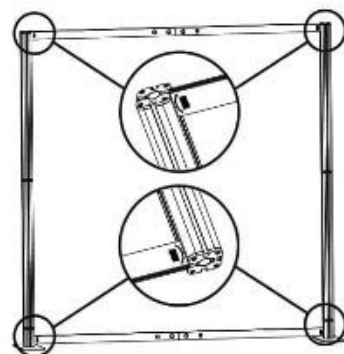
STEP 1



STEP 2



STEP 3

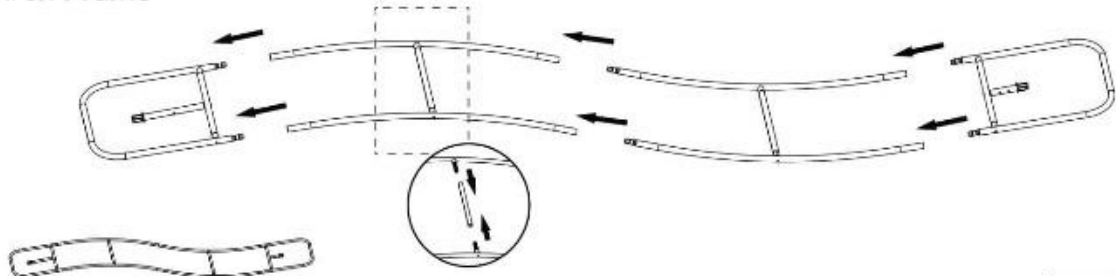


STEP 4

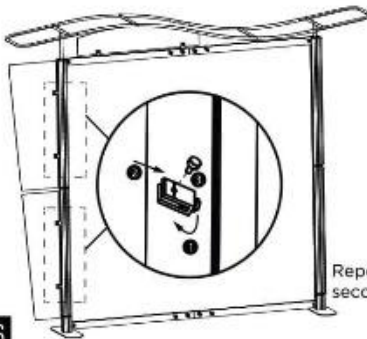
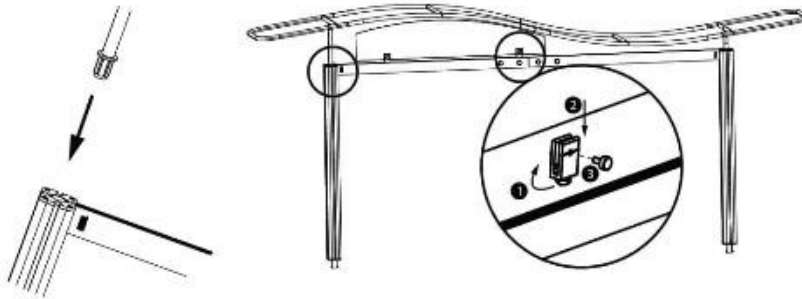
Twistlock NEW 20ft

Setup instructions

Arch Frame

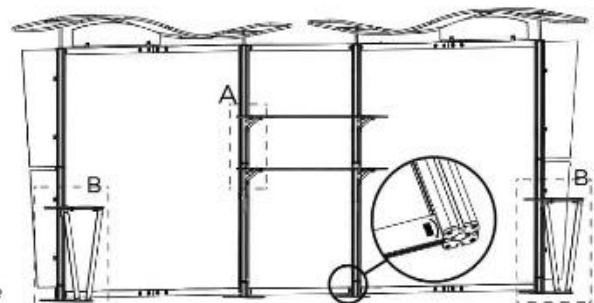


STEP 5



STEP 6

Repeat steps for second 10ft frame



STEP 7

Completed Display

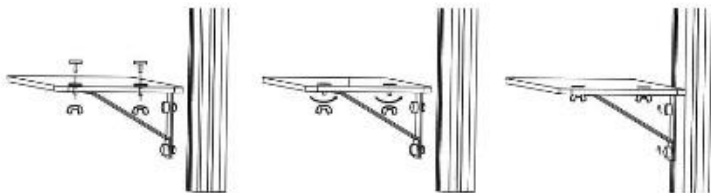


Table A

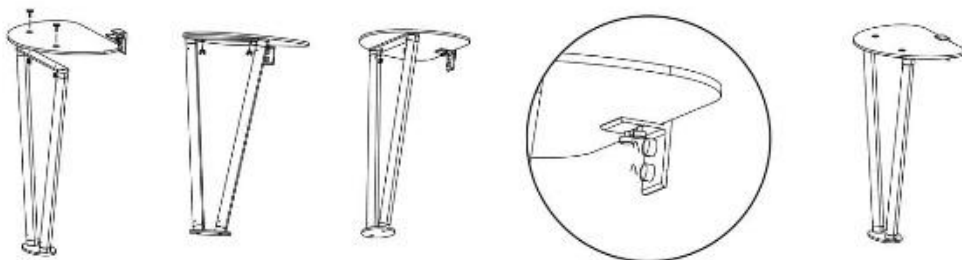


Table B

Tahoe Side Graphic - Quick Instructions



2 Bars for Side Graphic



Step 1
Insert the edge of the banner (rubber tube) into the side pole of Tahoe. * Making sure the graphic front side is facing right way and to start inserting from the bottom of the banner.



Step 2
After inserting side rubber tube of the banner to the side pole, inserting the top rubber tube of banner into the top bar.



Step 3
Lock the back of the Top bar to connect to the side pole.



Step 4
Making sure to line up the top bar to the top of the side pole and straighten before tighten it.



Step 5
Inserting the bottom rubber tube of the banner to the bottom bar.



Step 6
Lock the back of the bottom bar to connect to the side pole. Making sure to line up the bottom bar to the bottom of the side pole.

